



UV-C linear with sensor

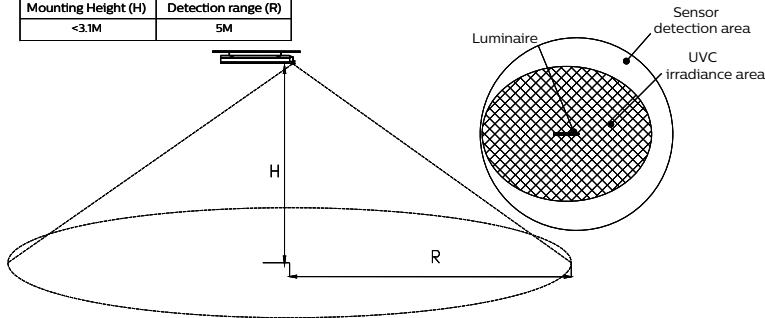
Sensor Application Notice/Sensor

Detection range

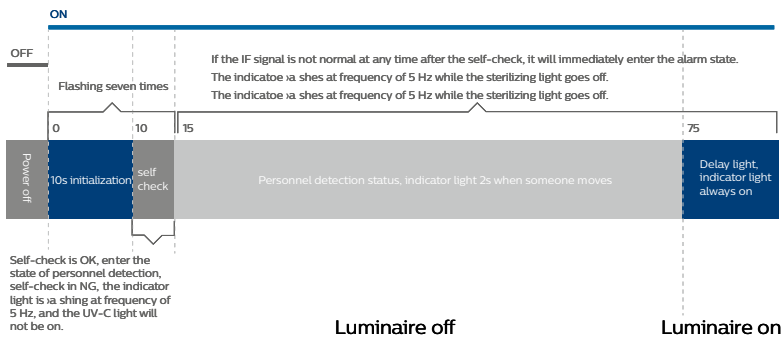
(H)	(R)
Mounting Height (H)	Detection range (R)
<3.1M	5M



Make sure installation height <3.1m, otherwise the sensor detection area may not cover the whole UVC irradiance area



Working Flow



Design Function Flow

Luminaire manual on

Warning

- Indicator lamp flick 2S/cycle
- Last 10s

Self detection

- Indicator lamp flick 2S/cycle
- Sensor function available
- Last 5s
- Indicator lamp flick 0,2S/cycle when fail

Luminaire working

- Indicator lamp on when non-detection
- Switch off when detect people
- Switch on again after 60s non detection

Human detection

- Switch on after no human detection
- 60s timer, recount once detect people
- Indicator lamp on when detect people, ~2s

Time limit

- Switch off luminaire after set time

Luminaire switch off

- Reset sensor functions